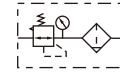


# Preparation unit—GP Series

## GPFR Series Precision Filter & Regulator

### Symbol



### Product feature

1. Circular square pressure gauge which with clip and magnifier is used to save installation space.
2. The pressed-in self-locking mechanism can prevent the abnormal movement of the set pressure caused by external interfere.
3. Balanced design is adopted for the pressure adjustment mechanism.
4. Unique diversion structure spins the air flowing through to effectively separate the liquid from the air and reliably filter the solid grain.
5. The filtering grade includes 0.3 μm and 0.01 μm (optional).
6. Two drain types are available: semi-auto drain and automatic drain.
7. Three material of bowl are available: PC, Nylon and metal.
8. The bracket can be selected for installation.

### Specification

Model	GPFR200-06	GPFR200-08	GPFR300-08	GPFR300-10	GPFR400-10	GPFR400-15
Fluid	Air					
Port size [Note1]	1/8"	1/4"	1/4"	3/8"	3/8"	1/2"
Filtering grade	0.3 μm or 0.01 μm					
Pressure range	0.15~0.9MPa(20~130psi)					
Max. pressure	1.0MPa(145psi)					
Proof pressure	1.5MPa(215psi)					
Temperature range	-5~70°C(Unfreeze)					
Capacity of drain bowl	25CC		60CC		100CC	
Weight	310g		500g		910g	

[Note1] G thread, NPT thread are available.

### Ordering code

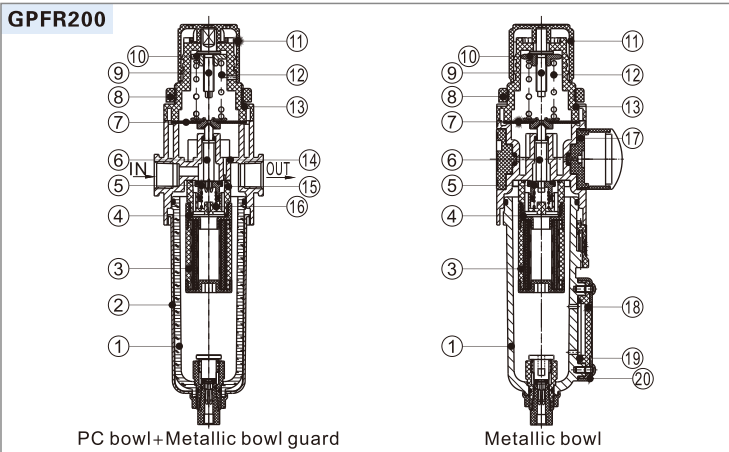
GPFR300 □ 10 □ S □ □ M G								
① ② ③ ④ ⑤ ⑥ ⑦ ⑧ ⑨								
① Model	② Material of bowl	③ Port size	④ Drain type	⑤ Type code	⑥ Accessories	⑦ Pressure gauge	⑧ Filtering grade	⑨ Thread type
GPFR200:GP200 Series Precision filter-regulator	Blank: PC N: Nylon C: Metal	06: 1/8" 08: 1/4"	Blank: Semi-auto drain A: Automatic drain	S: Standard L: Lower pressure [Note1]	Blank: Bracket J: No bracket	Blank: Circular with clip N: No pressure gauge	M: 0.3μm D: 0.01μm	Blank: PT (MPa/psi) G: G(bar/MPa) T: NPT(psi/bar)
GPFR300:GP300 Series Precision filter-regulator		08: 1/4" 10: 3/8"						
GPFR400:GP400 Series Precision filter-regulator		10: 3/8" 15: 1/2"						

[Note1] The maximum work pressure of lower pressure type is 58psi(0.4MPa).

# Preparation unit—GP Series

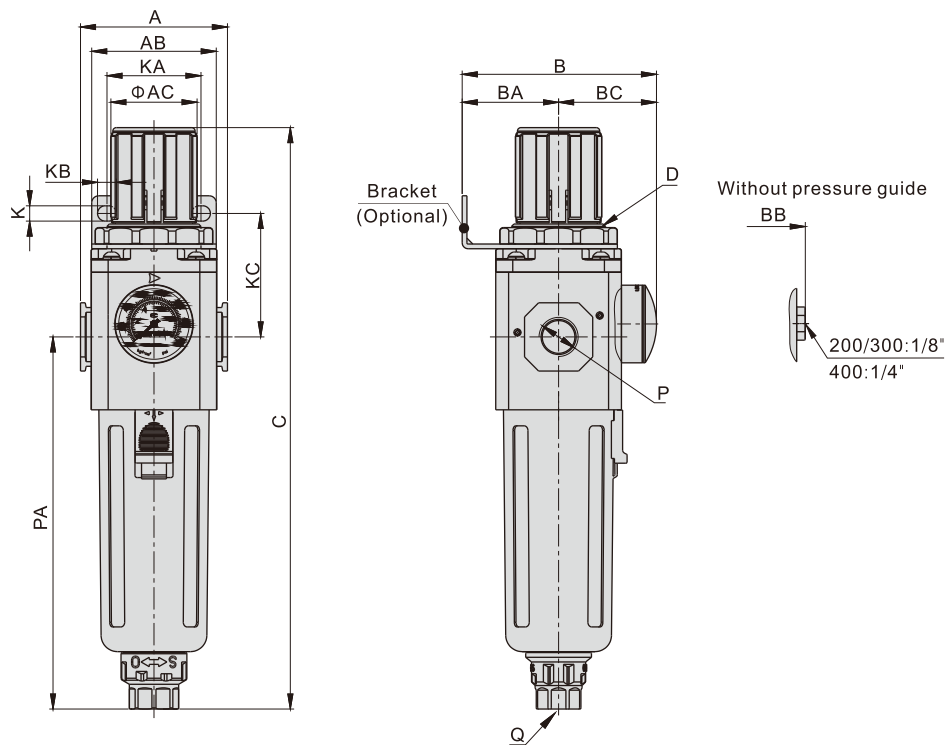
## GPFR Series Precision Filter & Regulator

### Inner structure



No.	Item	Material
1	Drain bowl	PC\nylon\aluminium alloy
2	Meter cover	SPCC
3	Filter core	Polymer materials
4	Gasket	NBR
5	Adjusting plug	Aluminum alloy & Rubber
6	Adjusting spool	POM
7	Diaphragm	NBR
8	Fixation ring cap	POM
9	Adjusting spindle	Steel
10	Regulator nut	Steel
11	Pressure knob	POM
12	Spring	SWPB
13	Adjusting seat	POM
14	Body of filter-regulator	Aluminium alloy
15	Gas distribution	POM
16	Spring	SWPB
17	Gauge	-
18	Liquid meter cover	PC
19	Liquid meter seal	NBR
20	Liquid meter inside cover	SPCC

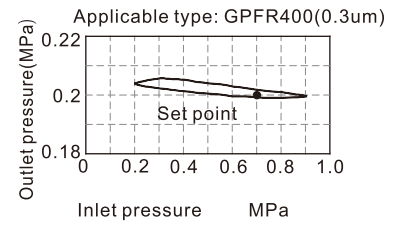
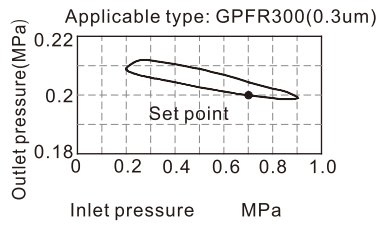
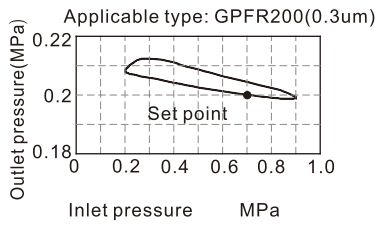
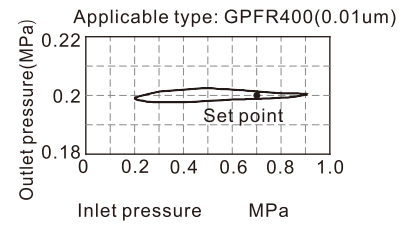
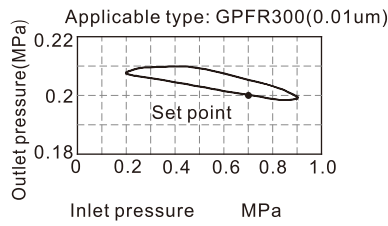
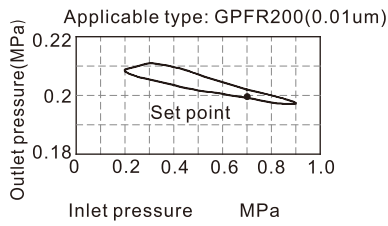
### Dimensions



Model\Item	A	AB	AC	B	BA	BB	BC	C	D	K	KA	KB	KC	P	PA	Q
GPFR200-06	52.5	55	31	69	30	55.5	39	192.5	M33x1.5	5.4	34	15.4	52	1/8"	120	M5X0.8
GPFR200-08	52.5	55	31	69	30	55.5	39	192.5	M33x1.5	5.4	34	15.4	52	1/4"	120	M5X0.8
GPFR300-08	62.5	53	38	82.5	41	72	41.5	247	M40x1.5	6.5	40	8	52.5	1/4"	158	G1/4
GPFR300-10	62.5	53	38	82.5	41	72	41.5	247	M40x1.5	6.5	40	8	52.5	3/8"	158	G1/4
GPFR400-10	80	72	52	99	50	88	49	285.5	M55x2.0	8.5	55	11	57	3/8"	177.5	G1/4
GPFR400-15	80	72	52	99	50	88	49	285.5	M55x2.0	8.5	55	11	57	1/2"	177.5	G1/4

## GPFR Series Precision Filter & Regulator

### Pressure chart



### Flow chart

